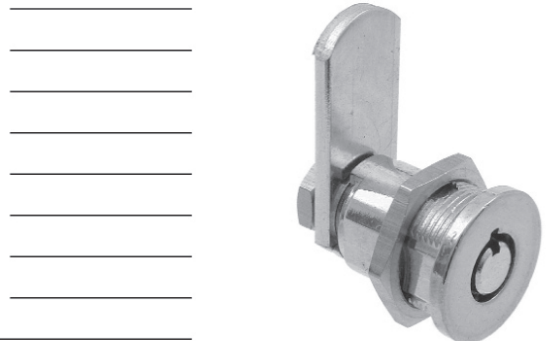
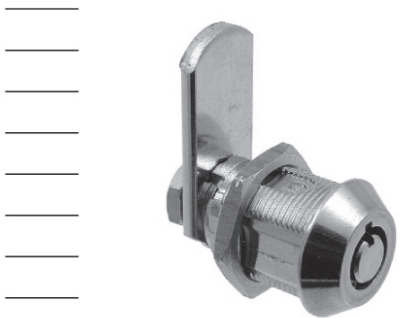


Radial Pin Tumbler Lock



2403/2404/2414

2422

FIXING HOLE SIZE

KEY SERIES	COMBINATIONS	DIM. 'X'	NUT FIXING DIM. P (MAX)	PRODUCT REFERENCE NUMBER
28	10,000	18	7,2	2403
28	10,000	22,7	12	2404
28	10,000	30	21	2414
28	10,000	21,2	7,2	2422

= **MASTER KEY SYSTEM:** AVAILABLE FOR MOVEMENTS 1 AND 2 ONLY, NUMBER OF DIFFERS 2000.
STANDARD MOVEMENTS: 1, 2, 3, 4, 8, 9 (SEE PAGE 12.21)
STANDARD FINISH: BRIGHT CHROME
 ANTI DRILL FEATURE AS STANDARD
 FOR KEY MOVEMENTS SEE PAGE 12.22.
 FOR CAM DETAILS SEE PAGE 12.32.