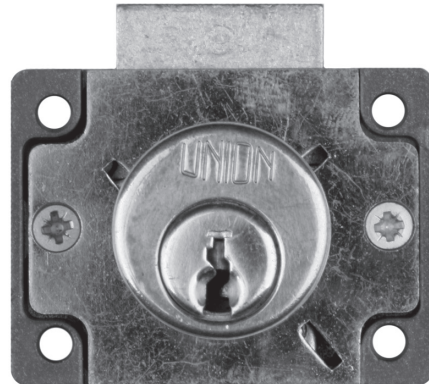


Utility Lock

4147 Cylinder Cupboard / Drawer Lock Deadlock

Application

- For wood doors or drawers.
- To suit doors or drawers up to 12.5mm maximum material thickness.



Operation

- Cylinder rotates to produce either a drawer lock or a right or left hand cupboard lock.
- The bolt is locked or unlocked by the key.

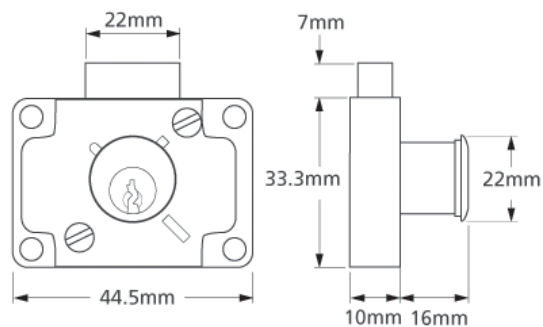


Standards

- Made in the UK.

Finishes

- Brass Plated (nozzle)
- Satin Chrome (nozzle)



Specification

| | |
|--------------------------------|---|
| Description | 4147 |
| Case & Cap Material | Zinc, Gold Enamelled / Steel, Zinc Plated |
| Bolt | Zinc, Brass Plated |
| Striking Plate | Supplied separately |
| Cylinder | Zinc with brass cap, 4 pin tumbler mechanism |
| Keying | 2 nickel silver keys |
| Keyblank Number | KB11-534-55 |
| Other Product Benefits | Supplied with brass rose, 53027. Finished to match nozzle. |