

Utility Lock

4148 Cylinder Cupboard / Till Lock Springbolt

Application

- For wood doors or drawers.
- To suit doors or drawers up to 12.5mm maximum material thickness.

Operation

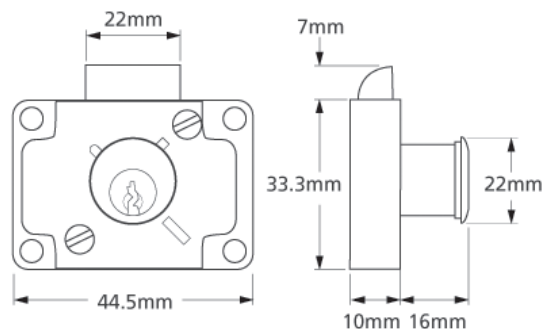
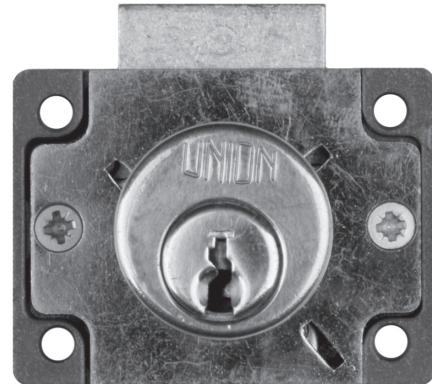
- Cylinder rotates to produce either a drawer lock or a right or left hand cupboard lock.
- The door or till closes and the bolt is operated automatically.
- The bolt is withdrawn by the key.

Standards

- Made in the UK.

Finishes

- Brass Plated (nozzle)
- Satin Chrome (nozzle)



Specification

Description	4148
Case & Cap Material	Zinc, Gold Enamelled / Steel Zinc Plated
Bolt	Zinc, Brass Plated
Striking Plate	Supplied, no 4138-10
Cylinder	4 pin tumbler mechanism
Keying	2 nickel silver keys
Keyblank Number	KB11-534-55
Other Product Benefits	Supplied with brass rose, 53027. Finished to match nozzle.