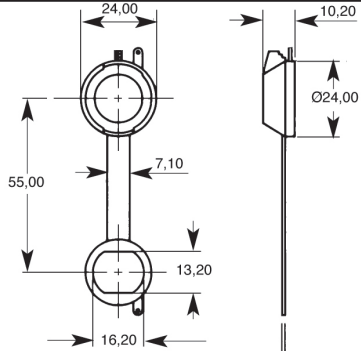
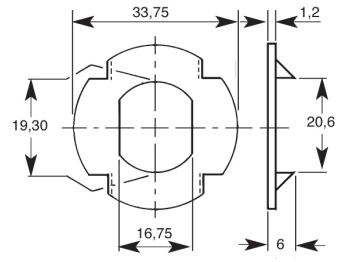
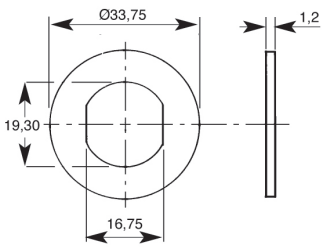
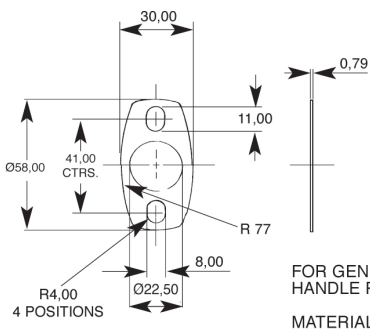
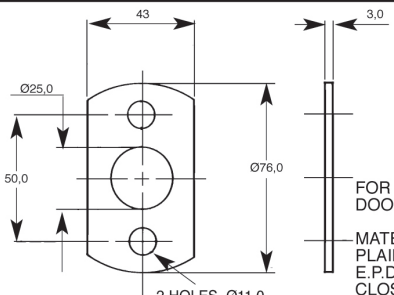


## Accessories

<p><b>PLASTIC CAP</b> PRODUCT No. 9210901</p>  <p>ONLY FOR CAMLOCKS WITH FIXING HOLE SIZE Ø16,2 x 13,2mm</p>	<p><b>WASHER</b> PRODUCT No. 7005201</p>  <p>WE RECOMMEND THE USE OF WASHER 7005201 WHEN FITTING LOCK IN WOODEN PANELS</p>
<p><b>WASHER</b> PRODUCT No. 9011201</p> 	<p><b>GASKET FOR HANDLES</b> PRODUCT No. 6700101</p>  <p>FOR GENERAL HANDLE PRODUCTS MATERIAL: NEOPRENE</p>
<p><b>GASKET FOR HANDLES</b> PRODUCT No. 6700201</p>  <p>FOR 1616 GARAGE DOOR HANDLE ONLY MATERIAL: PLAIN EXPANDED E.P.D.M. CLOSED CELL SPONGE</p>	