

Technical - Cams

CAMS

A large range of cams are available. Cams can be straight, 45° cranked or 90° cranked. Cams can also be notched on either edge as required.

Cams can be fitted at 3, 6, 9 or 12 o'clock as shown.

Please specify following details when ordering

1 For all cams:

- (a) Cam reference, if known.
- (b) Cam position, when locked.
- (c) Dimension B.

2 For cranked cams:

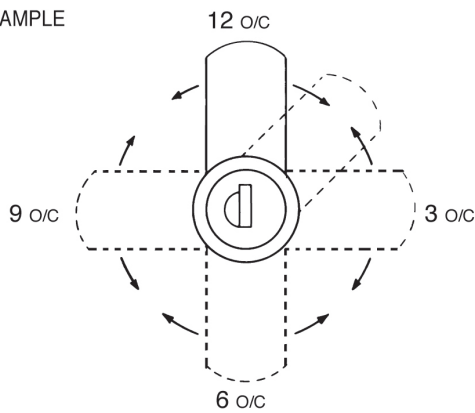
- (d) Whether cranked towards head or away from head.
- (e) Dimension A.
(alternatively please quote dimension X).

3 For notched cams when viewed from front of lock:

- (f) If fitted at 6 or 12 o'clock specify whether notch is on Left or Right hand side.
- (g) If fitted at 3 or 9 o'clock specify whether notch faces upwards or downward.

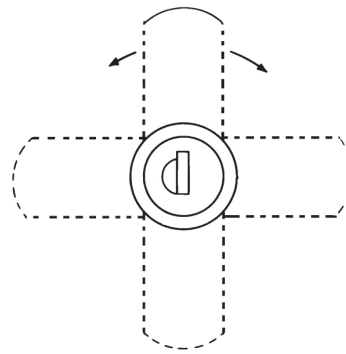
CAM POSITION

EXAMPLE



CHOOSE CAM POSITION WHEN LOCKED (VIEW FROM FRONT)

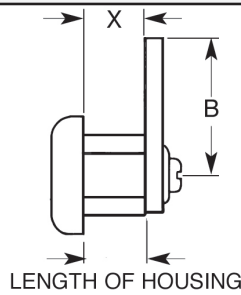
CAM MOVEMENTS



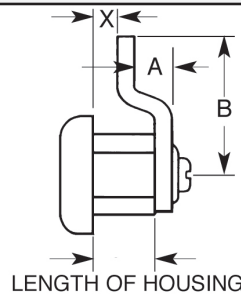
MOVEMENTS

CAM MOVEMENTS TO LOCK/UNLOCK CORRESPOND TO THE KEY MOVEMENTS LISTED ON 12.21

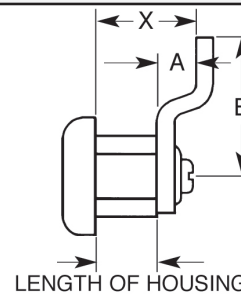
DIMENSION 'X'



LENGTH OF HOUSING



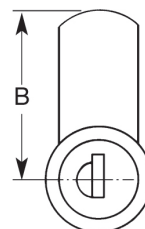
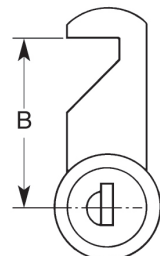
LENGTH OF HOUSING



LENGTH OF HOUSING

"X" DIMENSION IS THE DISTANCE BETWEEN THE UNDERSIDE OF LOCK HEAD AND INSIDE FACE OF THE CAM
"A" IS DIMENSION TO BE SPECIFIED ON CAM NUMBER SEE 12.31

DIMENSION 'B'



"B" DIMENSION - IS THE WORKING LENGTH OF CAM MEASURED FROM CENTRE OF LOCK.
N.B. WITH A NOTCHED CAM STATE "NOTCHED - LEFT" (SHOWN) OR "NOTCHED - RIGHT".